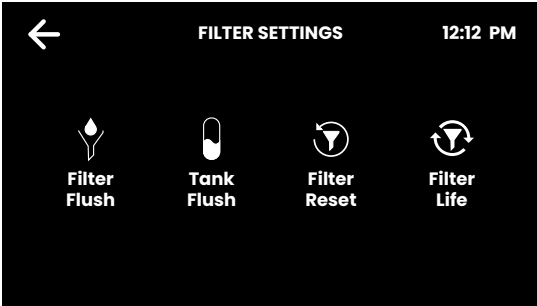


SECTION 3: Command Center Screen

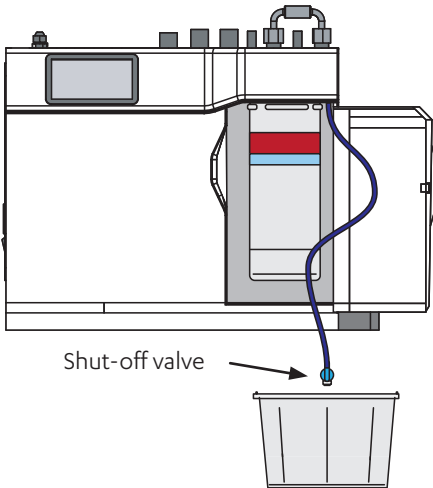
3.5.1 Filter settings



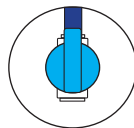
Filter flush

Use Filter flush during commissioning of a new installation, and after every filter change.

See page 36 for filter change instructions.



Open filter door, uncoil flush line.
Direct flush line into bucket.
Open shut-off valve.



Shut-off valve open

SECTION 3: Command Center Screen

FILTER FLUSH

12:12 PM

STEP 1.

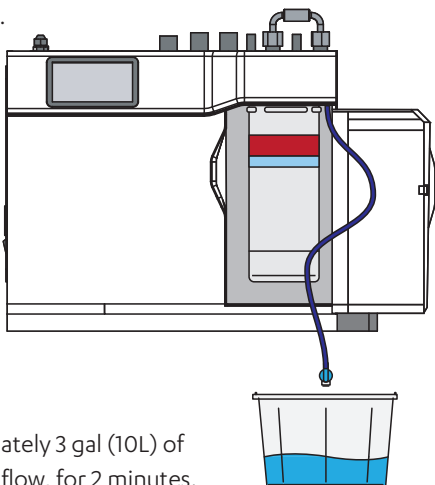
Open the filter access door and turn the flush line SHUT-OFF VALVE to the ON position.

STEP 2.

Place a 3 gal. bucket under the flush line valve to catch the water flushed through the filter.



Start flush.



Approximately 3 gal (10L) of water will flow, for 2 minutes.



FILTER FLUSH

12:12 PM

RUNNING.....

Water is now being flushed through the filter.

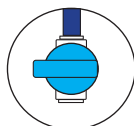
This process is automatic and will take 2 minutes.
Press pause to pause filter flush.



The screen will show the filter has been flushed.

Close the shut-off valve, return the flush line to the filter compartment and close door.

Reset the filter counter (see page 21).



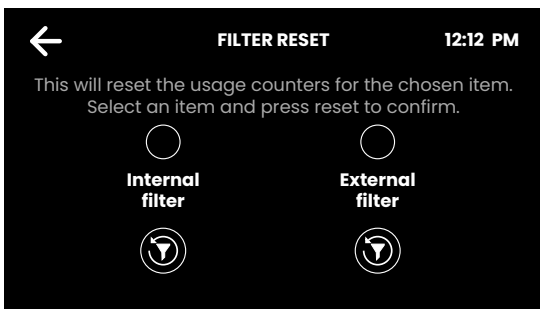
Shut-off valve closed

SECTION 3: Command Center Screen

Filter reset

Reset the filter counters after filter replacement and flush.

- Press upper internal or external filter button.
- Press lower button to confirm.



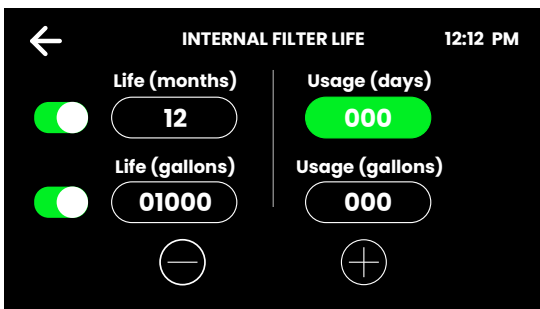
Filter life

Select internal/external filter and edit the filter life (months or litres) and actual usage (days or litres).

When usage exceeds the filter life, the tap lights and screen will indicate to change the water filter.

Default internal water filter life:

- Residential: 12 months or 1000 gal (4000L).
- Commercial: 6 months or 1500 gal (6000L).

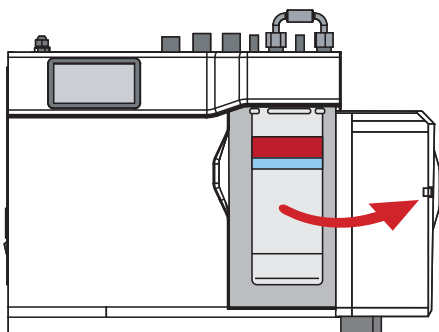


SECTION 4: User maintenance

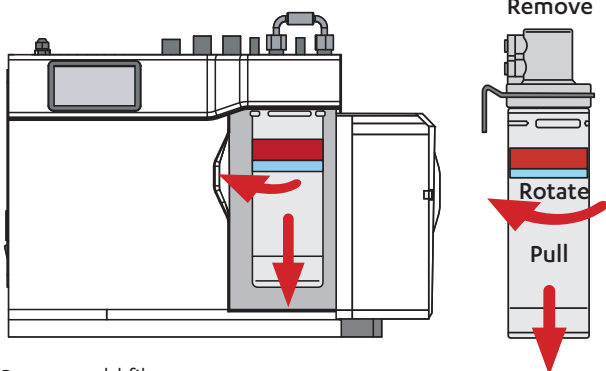
4.1 Changing the internal filter

The tap and screen will indicate that a filter needs to be changed.

Depending on local water quality conditions and usage, the filter may require changing before the filter change indication is shown. You may also need to replace the filter if you notice an increase in chlorine, taste or odor.



Open filter door.



Remove old filter.

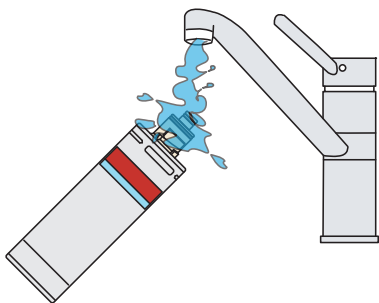


Place a cloth or towel under the filter cartridge before removing. Water will drip as the cartridge is removed.

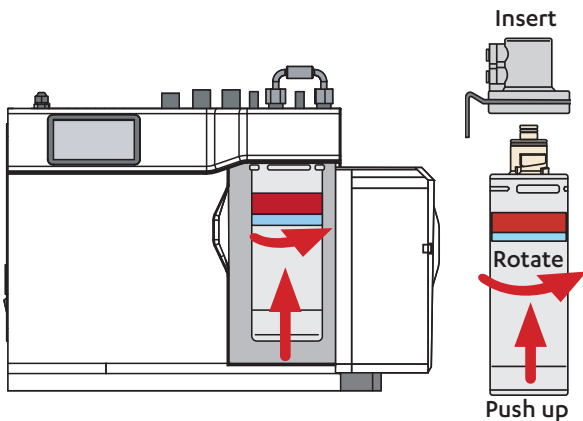
Unpack replacement cartridge and remove sanitary cap.

Write today's date on the label.

SECTION 4: User maintenance



Moisten connector o-rings.



Fit new filter.

Initiate the filter flush program by scrolling through the menu screen (see page 19).

Clean up and dispose of old cartridge and packaging.

If the HydroTap is switched off for a long period of time (e.g. more than a weekend), run water through the chilled water outlet for at least 60 seconds before consumption.