

Classic Range Integrated Font/Drip Tray

Product Spec Sheet



The HydroTap Classic Range Integrated Font / Drip Tray is an optional accessory that should be specified with the HydroTap Classic, Classic Plus, Elite Plus and Touch-Free Wave taps when the tap is being installed away from the sink as a standalone system. The Classic Range Integrated Font is available in six finish options to match the corresponding taps.



Chrome



Brushed
Chrome



Matte
Black



Brushed
Gold



Brushed
Nickel

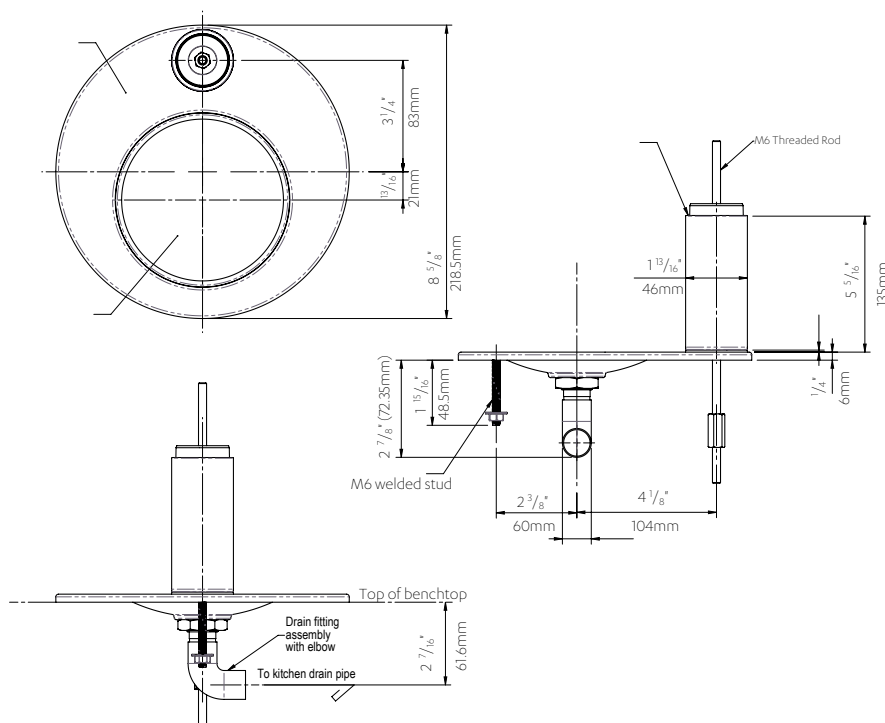


Gunmetal

Classic Range Integrated Font / Drip Tray - Order Codes

Drip Tray, Classic Range Integrated Font in Chrome	01034266
Drip Tray, Classic Range Integrated Font in Brushed Chrome	01034267
Drip Tray, Classic Range Integrated Font in Matte Black	01034268
Drip Tray, Classic Range Integrated Font in Brushed Gold	01044770
Drip Tray, Classic Range Integrated Font in Brushed Nickel	01044771
Drip Tray, Classic Range Integrated Font in Gunmetal	01044772

Classic Range Integrated Font / Drip Tray - Spec Details



Please see individual product spec sheets for tap and command center product specs and order codes.