

# HydroTap Elite Plus CS Tap

Product Spec Sheet



## HydroTap Elite Plus CS Tap

Offering the choice of instant, filtered chilled still and chilled sparkling water, the minimalist and understated look and the streamlined design and clean lines of the HydroTap Elite Plus are sure to please.

This HydroTap Elite Plus can be installed over the sink as a secondary tap or over our optional Classic Range Integrated or Classic Range Raised Font / Drip Tray.

The HydroTap Elite Plus is available in six finishes: Chrome, Brushed Chrome, Matte Black, Brushed Gold, Brushed Nickel and Gunmetal.

## HydroTap Elite Plus CS Tap - Available Finishes



Chrome



Brushed  
Chrome



Matte  
Black



Brushed  
Gold



Brushed  
Nickel



Gunmetal

## Product Order Codes for HydroTap Elite Plus CS Taps

HydroTap Elite Plus CS Tap in Chrome	01043223
HydroTap Elite Plus CS Tap in Brushed Chrome	01043482
HydroTap Elite Plus CS Tap in Matte Black	01043483
HydroTap Elite Plus CS Tap in Brushed Gold	01043484
HydroTap Elite Plus CS Tap in Brushed Nickel	01043486
HydroTap Elite Plus CS Tap in Gunmetal	01043485

Please see individual product spec sheets for accessory specs and order codes.

# HydroTap Elite Plus CS Tap

Product Spec Sheet



## Installation Requirements

The HydroTap is a pump-driven system so the installation of the Tap must be within 3' (0.9m) of the base command center. Installation on most countertops is straightforward however, some stone countertops may require a specialized cutting service.

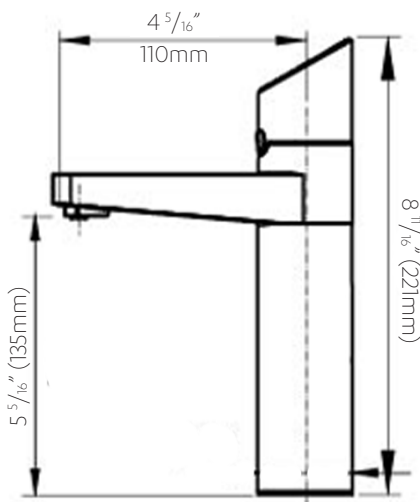
If using a drip tray (font) accessory, suitable drainage to a trapped waste is required within 3' (0.9m) of the installation. Sufficient space and clearance to install the HydroTap as detailed in the product installation guidelines is required.

Installation and connection of your HydroTap must be carried out by a qualified person, observing all local, state, & federal regulations.

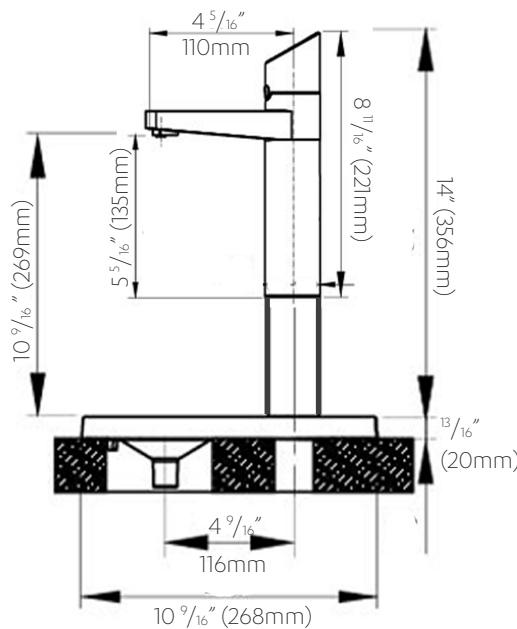
## HydroTap Elite Plus CS - Tap Specs

<b>Style:</b>	HydroTap Elite Plus Tap (CS)
<b>Hole Size:</b>	1 - 3/8" / 35mm
<b>Tap Height:</b>	8 11/16" (221mm) or 14" (356mm) when installed with the optional font
<b>Installation:</b>	Over sink as a secondary tap or on optional font / drip tray
<b>Flow Rate:</b>	Max 1.8gpm / 6.8lpm
<b>Sparkling Water Flow Rate</b>	0.4 gpm / 1.5lpm
<b>Product Certifications:</b>	IAPMO - NSF/ANSI 372, 42, 53, CSA B438.1, ASSE 1087; cUL; CEC
<b>ADA Compliant:</b>	Yes

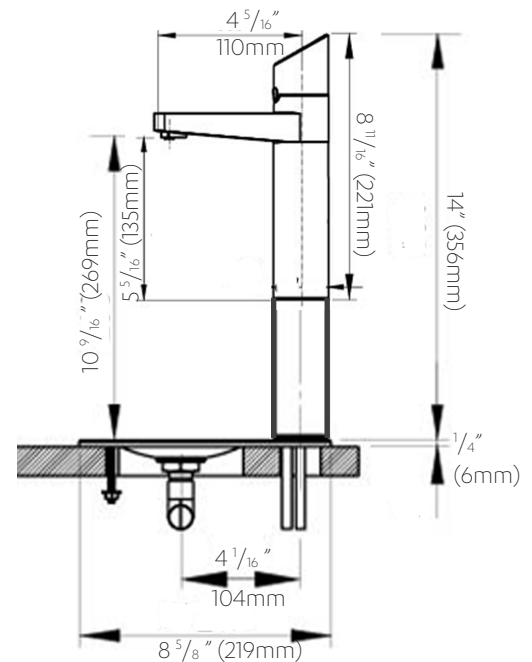
Elite Plus - Tap View



Elite Plus with Raised Font



Elite Plus with Integrated Font



# HydroTap 120V CS G5 Command Center

Product Spec Sheet



## HydroTap 120V CS G5 Command Center

Product Order Code: 01043467

The HydroTap by Zip Water is sparkling water on-demand and it's water at its best. That's because the HydroTap 120V CS command center provides users instant access to filtered chilled still and chilled sparkling water.

This command center is ideal for residential and small commercial applications and can be paired with any of our various tap styles.

## HydroTap 120V CS G5 Command Center - Product Specs

<b>Product Order Code</b>	01043467
<b>Application:</b>	For home or small office (up to 10 users)
<b>Water Pressure:</b>	Min 37psi – Max 100psi (2.60 - 7.03kg/cm <sup>2</sup> ) with a minimum flow rate of 1 gpm (3.79 lpm)
<b>Water Connection:</b>	½" BSP - isolation valve is required within 3' (0.9m) of the installation
<b>Integral Water Values:</b>	All HydroTap systems are fitted with a Dual Check Valve and a 50psi (3.52kg/cm <sup>2</sup> ) Pressure Limiting Valve
<b>Water Supply Requirements:</b>	Potable drinking water supply
<b>Optimal Total Dissolved Solids (TDS) Range:</b>	TDS Min 50ppm – Max 150ppm
<b>Integral Water Filter:</b>	0.2 micron, 1 size - replace every 1,100 gallons / 4,163 liters or 12 months
<b>Power Rating:</b>	110-120V, 50-60Hz, 15 amp power supply with a NEMA 5-15 outlet
<b>Dimensions (WxDxH):</b>	11" x 16" x 13.1" / 280mm x 406mm x 333mm
<b>Minimum Air Gap:</b>	Minimum of 2" / 50mm clearance on left and right side and 8" / 200mm above
<b>Minimum Cabinet Size:</b>	18" wide x 15" deep / 457mm wide x 381mm deep
<b>Maximum Hose Connection Length</b>	3' / 0.9m (tap to command center)
<b>Minimum Distance Needed for Installation</b>	15" / 381mm (interior wall to garbage disposal)
<b>Dry Weight:</b>	66lbs / 30kg
<b>Product Approvals:</b>	IAPMO - NSF/ANSI 372, 42, 53, CSA B483.1, ASSE 1087; cUL; CEC
<b>Warranty:</b>	3 years
<b>Compatible CO<sub>2</sub> Cylinder:</b>	Zip Water 1.5lb CO <sub>2</sub> or 5lb CO <sub>2</sub> (if space allows) with CGA-320 fitting
<b>CO<sub>2</sub> Operating Pressure:</b>	Min 39psi - Max 44psi / Min 2.74 - Max 3.09kg/cm <sup>2</sup>

# HydroTap 120V CS G5 Command Center

Product Spec Sheet

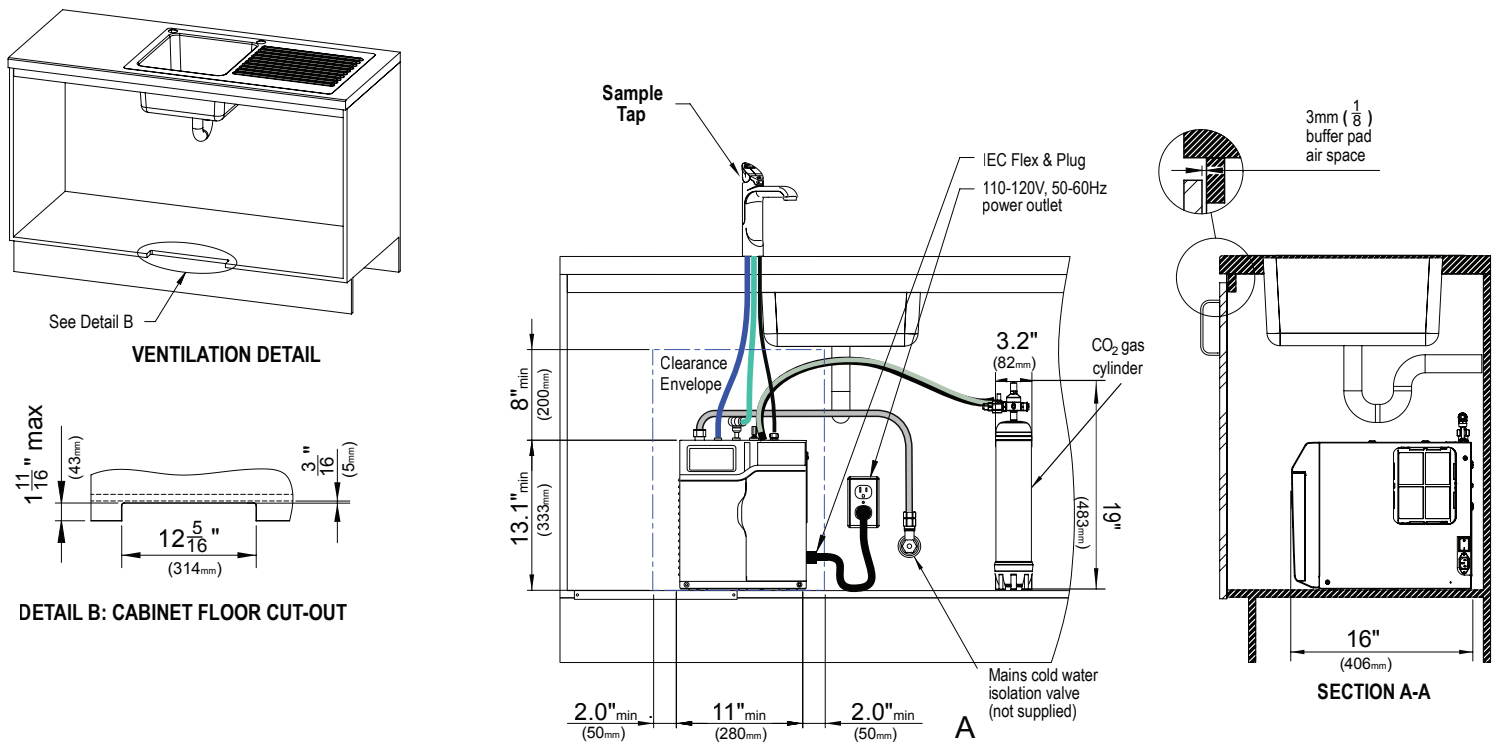


## Installation Requirements

Installation and connection of your HydroTap must be carried out by a qualified person, observing all local, state, & federal regulations. You will require suitable 110 -120V 50-60Hz, 15 amp power supply with a NEMA 5-15 electrical outlet within 5' 9" (1.75m) of the product.

The HydroTap is a pump-driven system so the installation of the Tap must be within 3' (0.9m) of the base command center. The HydroTap is an air-cooled system so discrete cabinetry cut-outs are required for ventilation. Installation on most countertops is straightforward however, some stone countertops may require a specialized cutting service.

If using a drip tray (font) accessory, suitable drainage to a trapped waste is required within 3' (0.9m) of the installation. If you live in an area with hard water (more than 150ppm), we recommend installation of a scale filtration kit or a water softener. Sufficient space and clearance to install the HydroTap as detailed in the product installation guidelines is required.



Scan QR code to view installation guide.

Installation by Zip Professional Service is available in select metro areas and can be arranged with a phone call to 1-833-233-2358 or by emailing [wecare@na.zipwater.com](mailto:wecare@na.zipwater.com). Technical Installation assistance over phone or video call can be obtained by calling our customer care line at 1-833-233-2358, Monday through Friday 8am - 5pm Central Time.