

HydroTap Elite Plus BC Tap

Product Spec Sheet



HydroTap Elite Plus Boiling/Chilled (BC) Tap

Offering the choice of instant filtered boiling and chilled water, the minimalist and understated look and the streamlined design and clean lines of the HydroTap Elite Plus are sure to please.

This HydroTap Elite Plus can be installed over the sink as a secondary tap or over our optional Classic Range Integrated or Classic Range Raised Font / Drip Tray.

The HydroTap Elite Plus is available in six finishes: Chrome, Brushed Chrome, Matte Black, Brushed Gold, Brushed Nickel and Gunmetal.

HydroTap Elite Plus BC Tap - Available Finishes



Chrome



Brushed
Chrome



Matte
Black



Brushed
Gold



Brushed
Nickel



Gunmetal

Product Order Codes for HydroTap Elite Plus BC Taps

| | |
|--|----------|
| HydroTap Elite Plus BC Tap in Chrome | 01043221 |
| HydroTap Elite Plus BC Tap in Brushed Chrome | 01043472 |
| HydroTap Elite Plus BC Tap in Matte Black | 01043473 |
| HydroTap Elite Plus BC Tap in Brushed Gold | 01043474 |
| HydroTap Elite Plus BC Tap in Brushed Nickel | 01043476 |
| HydroTap Elite Plus BC Tap in Gunmetal | 01043475 |

Please see individual product spec sheets for accessory specs and order codes.

HydroTap Elite Plus BC Tap

Product Spec Sheet



Installation Requirements

The HydroTap is a pump-driven system so the installation of the Tap must be within 3' (0.9m) of the base command center. Installation on most countertops is straightforward however, some stone countertops may require a specialized cutting service.

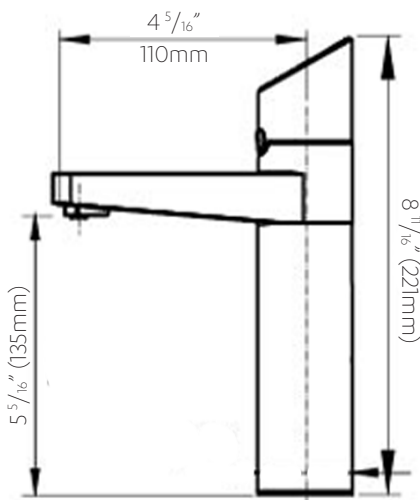
If using a drip tray (font) accessory, suitable drainage to a trapped waste is required within 3' (0.9m) of the installation. Sufficient space and clearance to install the HydroTap as detailed in the product installation guidelines is required.

Installation and connection of your HydroTap must be carried out by a qualified person, observing all local, state, & federal regulations.

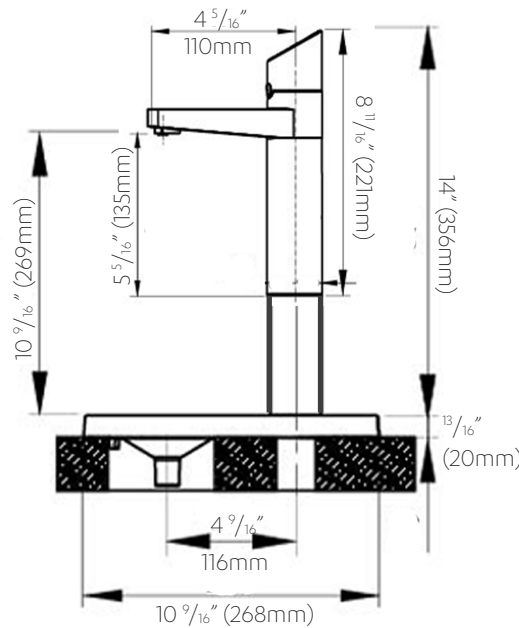
HydroTap Elite Plus BC - Tap Specs

| | |
|--------------------------------|--|
| Style: | HydroTap Elite Plus Tap (BC) - includes boiling water safety lock |
| Hole Size: | 1 - 3/8" / 35mm |
| Tap Height: | 8 11/16" (221mm) or 14" (356mm) when installed with an optional font / drip tray |
| Installation: | Over sink as a secondary tap or on optional font / drip tray |
| Flow Rate: | Max 1.8gpm / 6.8lpm |
| Product Certifications: | IAPMO - NSF/ANSI 372, 42, 53, CSA B438.1, ASSE 1023, ASSE 1087; cUL; CE |
| ADA Compliant: | Yes |

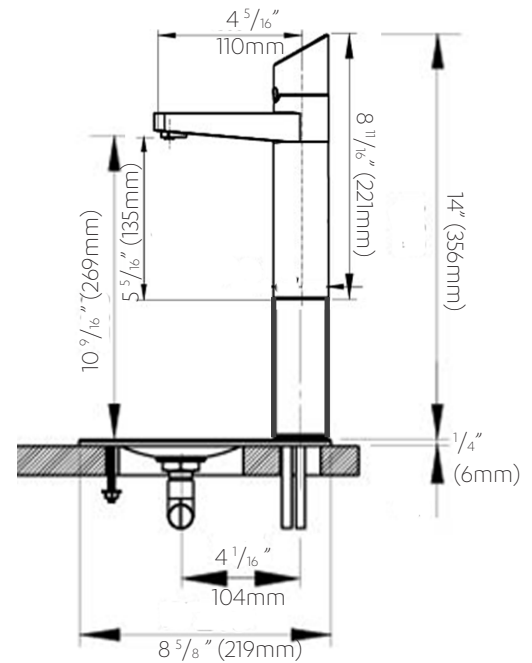
Elite Plus - Tap View



Elite Plus with Raised Font



Elite Plus with Integrated Font



HydroTap 120V BC G5 Command Center

Product Spec Sheet



HydroTap 120V BC G5 Command Center

Product Order Code: 01043465

The HydroTap by Zip Water is more than just a water system, it's cooking made easy and it's water at its best. That's because the HydroTap 120V BC command center provides users instant access to filtered boiling and chilled water.

This command center is ideal for residential and small commercial applications and can be paired with any of our various tap styles.

HydroTap 120V BC G5 Command Center - Product Specs

| | |
|--|---|
| Product Order Code | 01043465 |
| Application: | For home or small office (up to 10 users) |
| Water Pressure: | Min 37psi – Max 100psi (2.60 - 7.03kg/cm ²) with a minimum flow rate of 1 gpm (3.79 lpm) |
| Water Connection: | ½" BSP - isolation valve is required within 3' (0.9m) of the installation |
| Integral Water Values: | All HydroTap systems are fitted with a Dual Check Valve and a 50psi (3.52kg/cm ²) Pressure Limiting Valve |
| Water Supply Requirements: | Potable drinking water supply |
| Optimal Total Dissolved Solids (TDS) Range: | TDS Min 50ppm – Max 150ppm |
| Integral Water Filter: | 0.2 micron, 1 size - replace every 1,100 gallons / 4,163 liters or 12 months |
| Power Rating: | 110-120V, 50-60Hz, 15 amp power supply with a NEMA 5-15 outlet |
| Dimensions (WxDxH): | 13.3" x 18.2" x 13.1" / 339mm x 462mm x 333mm |
| Minimum Air Gap: | Minimum of 2" / 50mm clearance on left and right side and 8" / 200mm above |
| Minimum Cabinet Size: | 18" wide x 24" deep / 457mm wide x 610mm deep |
| Maximum Hose Connection Length | 3' / 0.9m (tap to command center) |
| Minimum Distance Needed for Installation | 15" / 381mm (interior wall to garbage disposal) |
| Dry Weight: | 66lbs / 30kg |
| Product Approvals: | IAPMO - NSF/ANSI 372, 42, 53, CSA B483.1, ASSE 1023, ASSE 1087; cUL; CEC |
| Warranty: | 3 years |

HydroTap 120V BC G5 Command Center

Product Spec Sheet

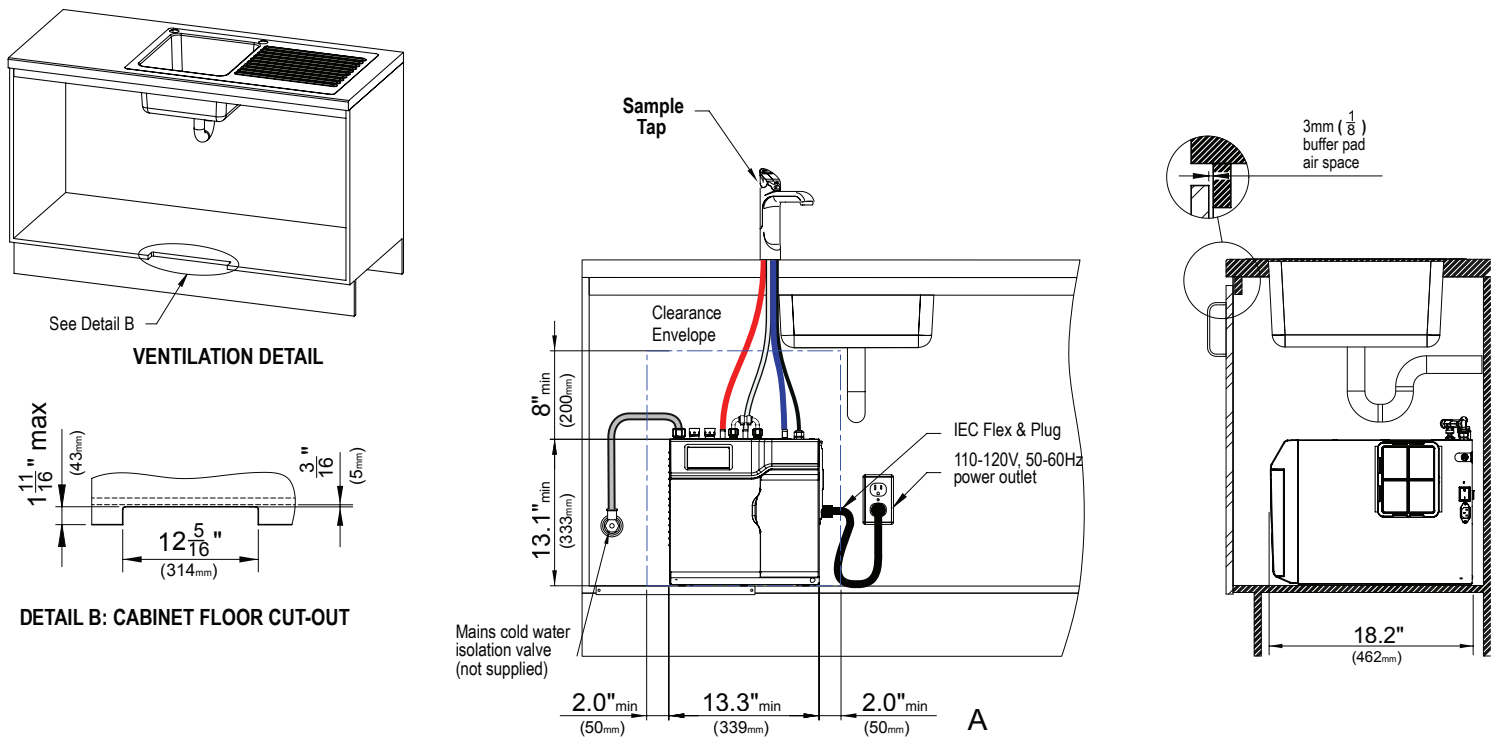


Installation Requirements

Installation and connection of your HydroTap must be carried out by a qualified person, observing all local, state, & federal regulations. You will require suitable 110 -120V 50-60Hz, 15 amp power supply with a NEMA 5-15 electrical outlet within 5' 9" (1.75m) of the product.

The HydroTap is a pump-driven system so the installation of the Tap must be within 3' (0.9m) of the base command center. The HydroTap is an air-cooled system so discrete cabinetry cut-outs are required for ventilation. Installation on most countertops is straightforward however, some stone countertops may require a specialized cutting service.

If using a drip tray (font) accessory, suitable drainage to a trapped waste is required within 3' (0.9m) of the installation. If you live in an area with hard water (more than 150ppm), we recommend installation of a scale filtration kit or a water softener. Sufficient space and clearance to install the HydroTap as detailed in the product installation guidelines is required.



Scan QR code to view installation guide.

Installation by Zip Professional Service is available in select metro areas and can be arranged with a phone call to 1-833-233-2358 or by emailing wecare@na.zipwater.com. Technical Installation assistance over phone or video call can be obtained by calling our customer care line at 1-833-233-2358, Monday through Friday 8am - 5pm Central Time.