

HydroTap Celsius All-in-One (AIO) Tap

Product Spec Sheet



HydroTap Celsius All-in-One (AIO) Tap

The ultimate in functionality, the HydroTap Celsius All-In-One (AIO) is fitted over your sink and offers all five water types – filtered boiling, chilled and sparkling water for drinking, cooking and sanitizing, plus unfiltered hot & cold water for washing dishes. And it's all wrapped up in Zip Water's enduringly stylish design!

So whether you are looking to upgrade your home hydration or you want the convenience of cooking made easy, the HydroTap Celsius AIO is the perfect tap to meet your needs.

What's more, the Celsius AIO tap is available in seven luxury finishes from our classic chrome to our stylish brushed gold and gunmetal to complement any kitchen style.

HydroTap Celsius All-in-One Tap - Available Finishes



Chrome



Brushed
Chrome



Matte
Black



Brushed
Gold



Nickel



Brushed
Nickel



Gunmetal

Product Order Codes for HydroTap Celsius All-in-One Taps

HydroTap Celsius All-in-One BCS Tap in Chrome	01034259
HydroTap Celsius All-in-One BCS Tap in Brushed Chrome	01034260
HydroTap Celsius All-in-One BCS Tap in Matte Black	01034261
HydroTap Celsius All-in-One BCS Tap in Brushed Gold	01034263
HydroTap Celsius All-in-One BCS Tap in Nickel	01034264
HydroTap Celsius All-in-One BCS Tap in Brushed Nickel	01034265
HydroTap Celsius All-in-One BCS Tap in Gunmetal	01041864

Please see individual product spec sheets for command center and accessory product specs and order codes.

HydroTap Celsius All-in-One Tap

Product Spec Sheet



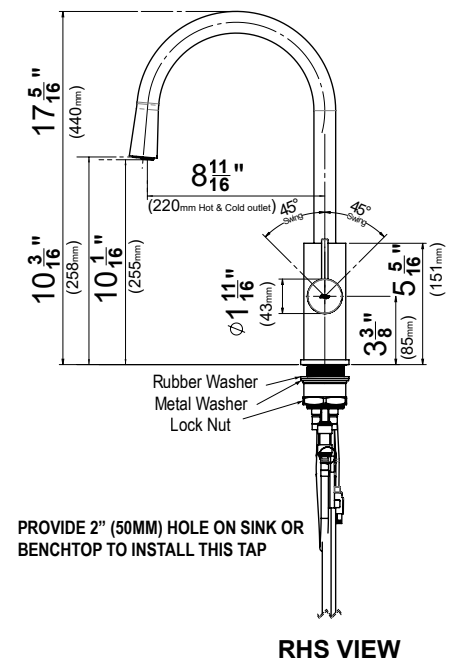
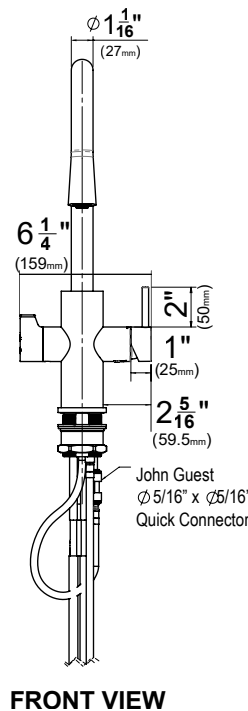
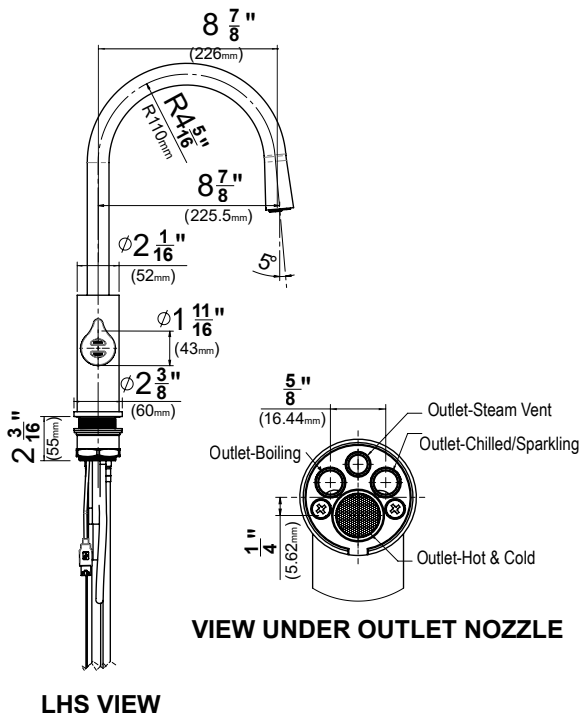
Installation Requirements

The HydroTap is a pump-driven system so the installation of the Tap must be within 3' (0.9m) of the base command center. Installation on most countertops is straightforward however, some stone countertops may require a specialized cutting service.

Sufficient space and clearance to install the HydroTap as detailed in the product installation guidelines is required. Installation and connection of your HydroTap must be carried out by a qualified person, observing all local, state, & federal regulations.

HydroTap Celsius All-in-One - Tap Specs

Style:	HydroTap Celsius All-in-One Tap- includes boiling water safety lock
Hole Size:	2" / 50mm
Tap Height:	17 5/16" (440mm)
Installation:	Over the sink as the primary faucet
Flow Rate:	Max 1.8gpm / 6.81 lpm
Sparkling Water Flow Rate	0.4 gpm / 1.51 lpm
Product Certifications:	IAPMO - NSF/ANSI 372, 42, 53, CSA B438.1, ASSE 1023, ASSE 1087, DOE; cUL; CEC
Mixer Type:	Ceramic disc cartridge
Water outlets:	Installation requires both hot and cold water supplies
Clearance for handle:	Minimum distance from center hole to wall: 3 7/16" (88mm)



Installation by Zip Professional Service is available in select metro areas and can be arranged with a phone call to 1-833-233-2358 or by emailing wecare@na.zipwater.com. Technical Installation assistance over phone or video call can be obtained by calling our customer care line at 833-233-2358, Monday through Friday 8am - 5pm Central Time.

HydroTap 120V BCS G5 Command Center

Product Spec Sheet



HydroTap 120V BCS G5 Command Center

Product Order Code: 01043466

The HydroTap by Zip Water is more than just a water system, it's cooking made easy, it's sparkling water on-demand and it's a crisp glass of chilled water. That's because the HydroTap 120V BCS command center provides users instant access to filtered boiling, chilled and sparkling water.

This command center is ideal for residential and small commercial applications and can be paired with any of our various tap styles.

HydroTap 120V BCS G5 Command Center - Product Specs

Product Order Code	01043466
Water Pressure:	Min 37psi – Max 100psi (2.60 - 7.03kg/cm ²) with a minimum flow rate of 1 gpm (3.79lpm)
Water Connection:	½" BSP - isolation valve is required within 3' (0.9m) of the installation
Integral Water Values:	All HydroTap systems are fitted with a Dual Check Valve and a 50psi (3.52kg/cm ²) Pressure Limiting Valve
Water Supply Requirements:	Potable drinking water supply
Optimal Total Dissolved Solids (TDS) Range:	TDS Min 50ppm – Max 150ppm
Integral Water Filter:	0.2 micron, 1 size - replace every 1,100 gallons / 4,163 liters or 12 months
Power Rating:	110-120V, 50-60Hz, 15 amp power supply with a NEMA 5-15 outlet
Dimensions (WxDxH):	13.3" x 18.2" x 13.1" / 339mm x 462mm x 333mm
Minimum Air Gap:	Minimum of 2" / 50mm clearance on left and right side and 8" / 200mm above
Minimum Cabinet Size:	20" wide x 24" deep / 508mm wide x 610mm deep
Maximum Hose Connection Length	3' / 0.9m (tap to command center)
Minimum Distance Needed for Installation	15" / 381mm (interior wall to garbage disposal)
Dry Weight:	75lbs / 34kg
Product Approvals:	IAPMO - NSF/ANSI 372, 42, 53, CSA B483.1, ASSE 1023, ASSE 1087; cUL; CEC
Warranty:	3 years
Compatible CO₂ Cylinder:	Zip Water 1.5lb CO ₂ or 5lb CO ₂ (if space allows) with CGA-320 fitting
CO₂ Operating Pressure:	Min 39psi - Max 44psi / Min 2.74 - Max 3.09kg/cm ²

HydroTap 120V BCS G5 Command Center

Product Spec Sheet

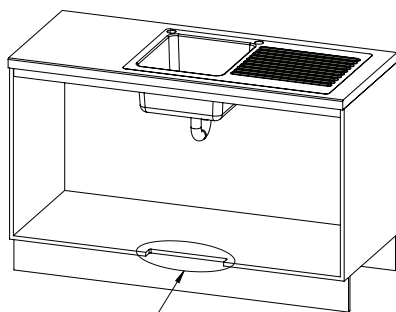


Installation Requirements

Installation and connection of your HydroTap must be carried out by a qualified person, observing all local, state, & federal regulations. You will require suitable 110 -120V 50-60Hz, 15 amp power supply with a NEMA 5-15 electrical outlet within 5' 9" (1.75m) of the product.

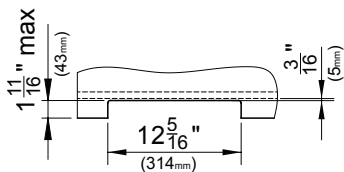
The HydroTap is a pump-driven system so the installation of the Tap must be within 3' (0.9m) of the base command center. The HydroTap is an air-cooled system so discrete cabinetry cut-outs are required for ventilation. Installation on most countertops is straightforward however, some stone countertops may require a specialized cutting service.

If using a drip tray (font) accessory, suitable drainage to a trapped waste is required within 3' (0.9m) of the installation. If you live in an area with hard water (more than 150ppm), we recommend installation of a scale filtration kit or a water softener. Sufficient space and clearance to install the HydroTap as detailed in the product installation guidelines is required.

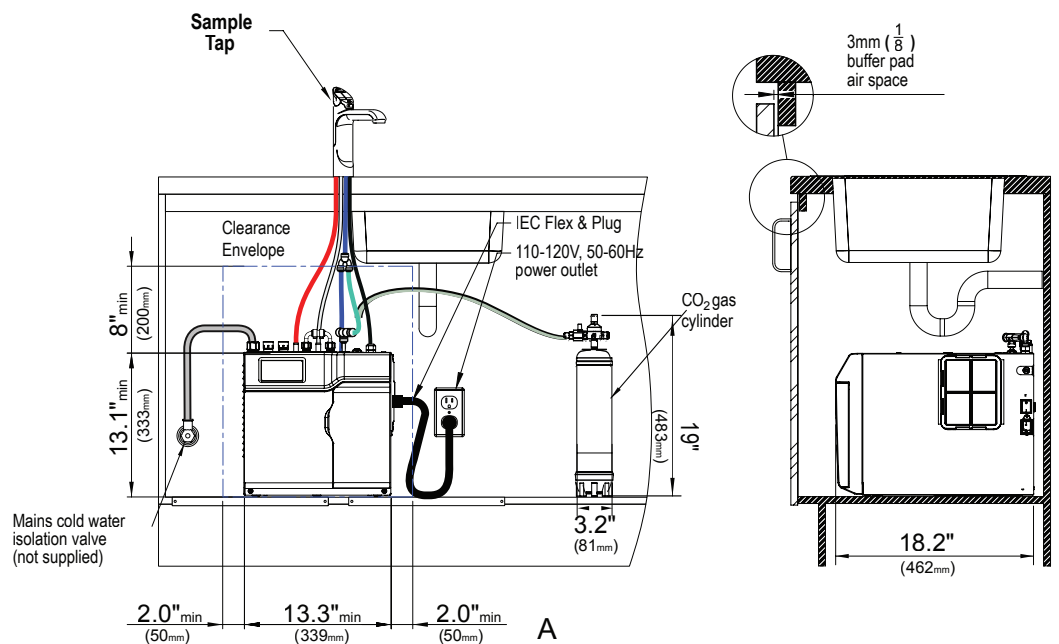


See Detail B

VENTILATION DETAIL



DETAIL B: CABINET FLOOR CUT-OUT



Scan QR code to view installation guide.

Installation by Zip Professional Service is available in select metro areas and can be arranged with a phone call to 1-833-233-2358 or by emailing wecare@na.zipwater.com. Technical Installation assistance over phone or video call can be obtained by calling our customer care line at 833-233-2358, Monday through Friday 8am - 5pm Central Time.