

HYDROTAP® G4 INTEGRATED FONT

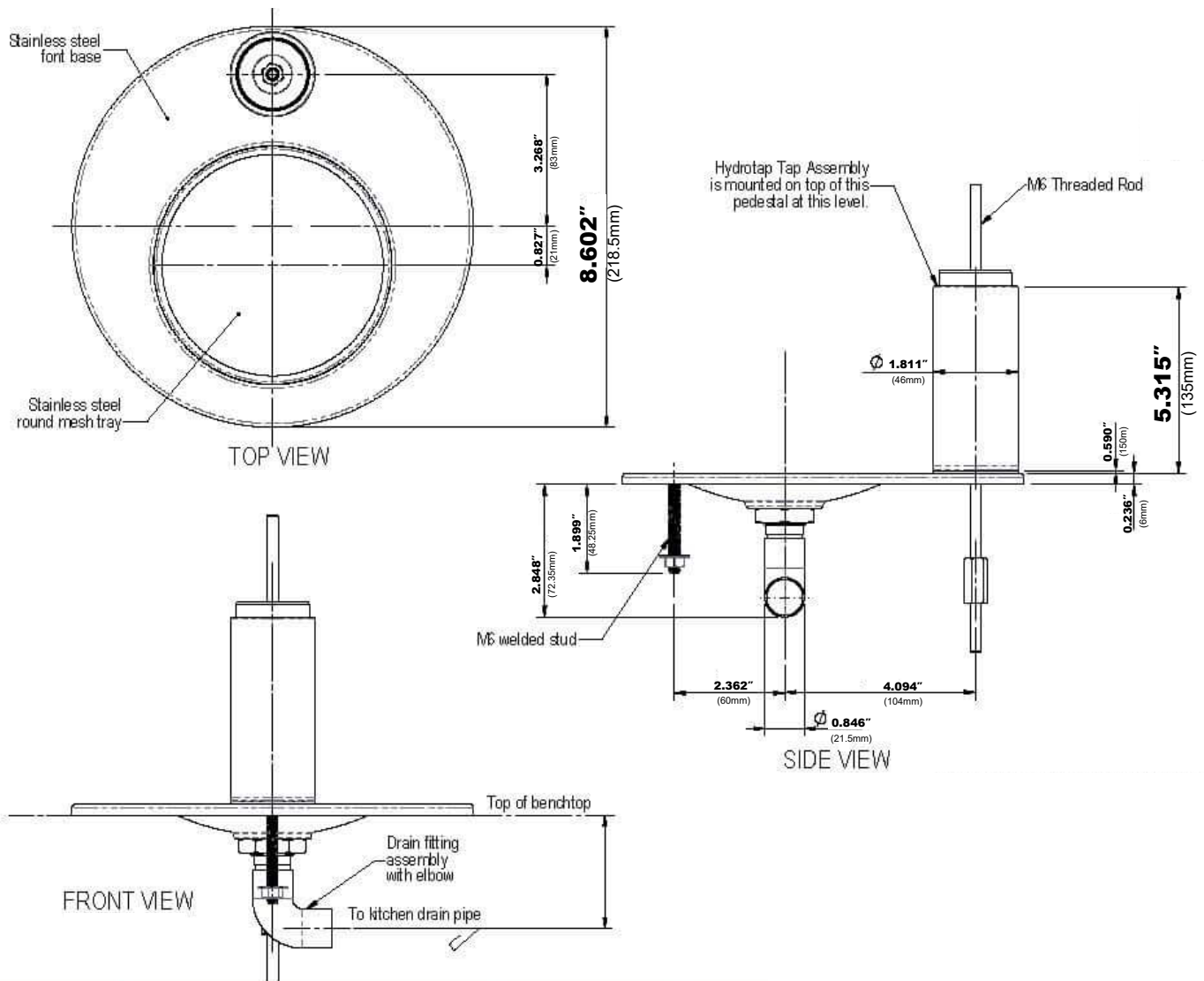
FOR USE WITH HYDROTAP CLASSIC AND WAVE TAPS



PRODUCT CODES FOR OPTIONAL FONTS

01034266	Drip Tray, Classic/Wave Font (Chrome)
01034267	Drip Tray, Classic/Wave Font (Brushed Chrome)
01034268	Drip Tray, Classic/Wave Font (Matte Black)

PRODUCT SPECIFICATIONS



*Prior to any drilling, please reference the cutting template provided with font for correct distance and centering of font in relation to Tap.