

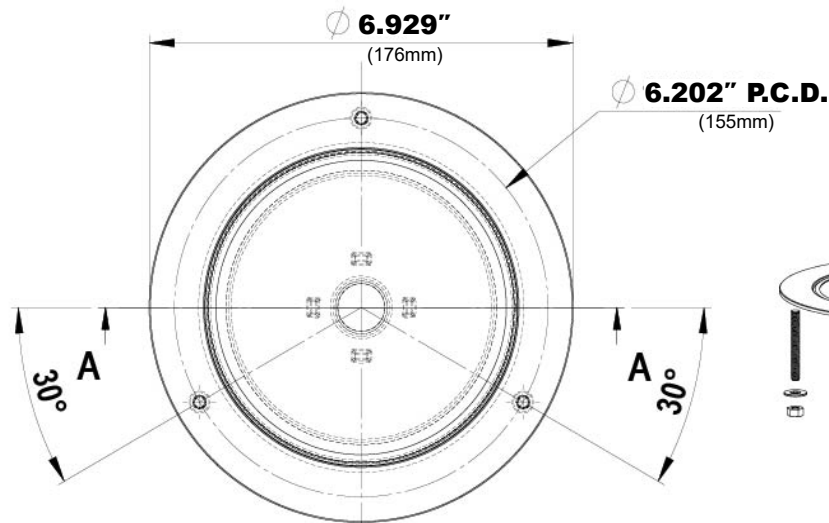
HYDROTAP® G4 DESIGN FONT

FOR USE WITH HYDROTAP ARC AND CUBE TAPS

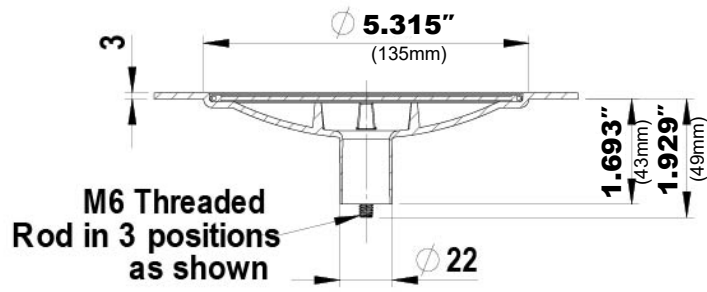


PRODUCT CODES FOR OPTIONAL FONTS

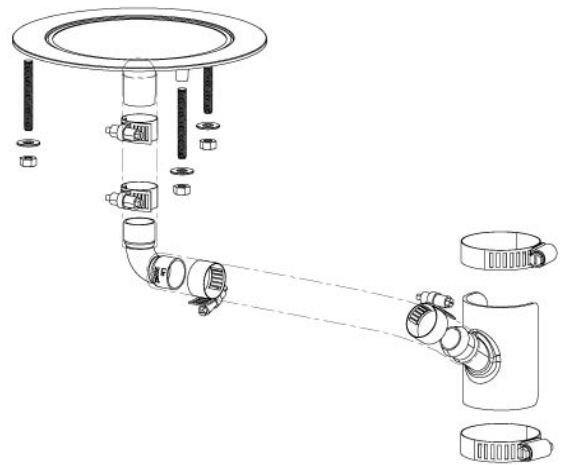
01034269	Drip Tray, Design Range Font (Chrome)
01034270	Drip Tray, Design Range Font (Brushed Chrome)
01034271	Drip Tray, Design Range Font (Matte Black)
01034273	Drip Tray, Design Range Font (Brushed Gold)
01034274	Drip Tray, Design Range Font (Nickel)
01034275	Drip Tray, Design Range Font (Brushed Nickel)
01041881	Drip Tray, Design Range Font (Gunmetal)



TOP VIEW



SECTION A-A



*Please reference the cutting template provided with font prior to any drilling.