



HYDROTAP® TOUCH-FREE WAVE FOR OFFICE

BOILING | **CHILLED**

Elevate your workplace with the HydroTap Touch-Free Wave 160/125 and provide your employees with the perfect hot drink or crisp, chilled water in an instant with just the wave of a hand.

*maximum office size = 60 people

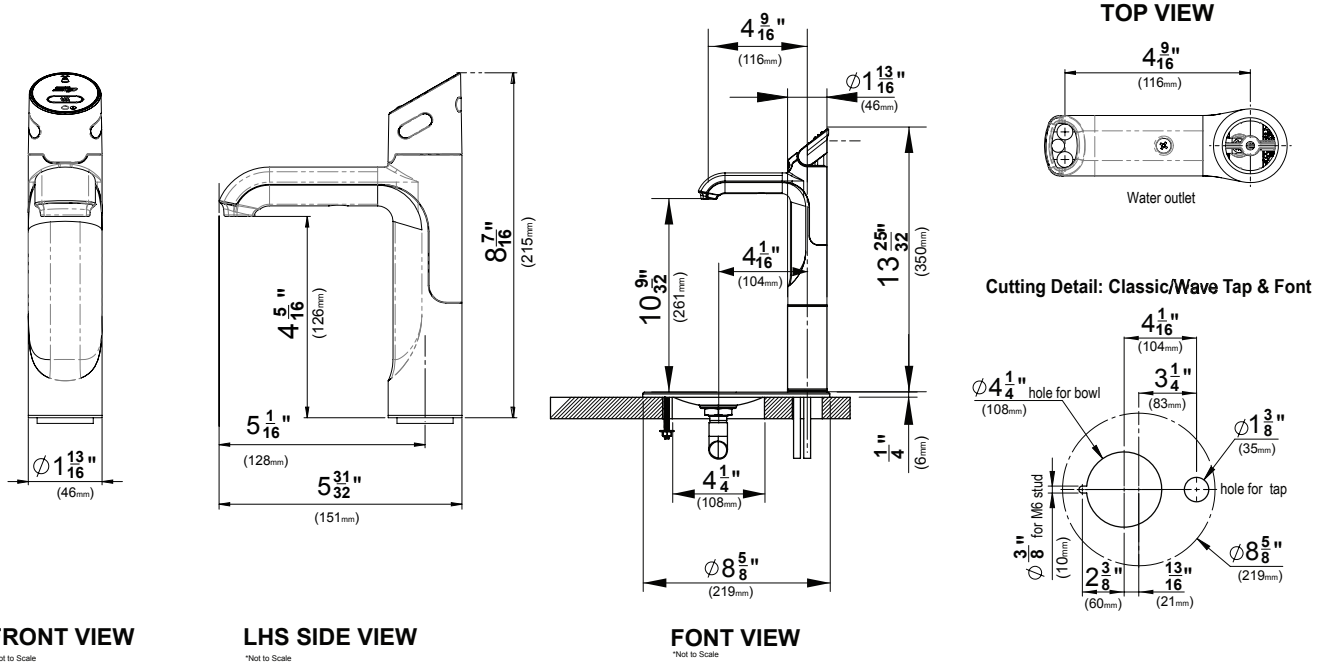
HYDROTAP® TOUCH-FREE WAVE FOR OFFICE

BOILING | CHILLED



HYDROTAP TOUCH-FREE WAVE FOR OFFICE - TAP SPECS

Style	HydroTap Touch-Free Wave for Office - includes child safety lock
Hole Size	1 3/8"
Available Finishes	Chrome, Matte Black with Chrome Accents
Installation	Over sink or on drip tray (optional - see below for font)
Flow rate	Max 1.8gpm
Sparkling Water Flow Rate	0.36gpm



MODEL NUMBERS (CONSULT LOCAL DEALER FOR PRODUCT CODES)

WAVEBC240V-CH	Wave (Chrome)
WaveBC240V-MB	Wave (Matte Black with Chrome Accents)

PRODUCT CODE FOR OPTIONAL FONT

01034266	Drip Tray, Classic/Wave Font (Chrome)
01034268	Drip Tray, Classic/Wave Font (Matte Black)

PRODUCT CODE FOR VENT TRAY (RECOMMENDED)

01034280	Vent Tray BC/BCS
----------	------------------

PRODUCT CODES FOR ACCESSORIES

01034277	Filter, Zip, 0.2 Micron, 1.5 Size - 93702	01034348	Zip 1 x 5lb CO2 refillable/recyclable cylinders
01034278	Filter, Zip, 3 Micron, 1.5 Size - 93703	01034349	Zip CO2 Regulator
01034279	Filter, Zip, 0.2 Micron - Non-Carbon, 1.5 Size - 93706	01037870	Zip FL1000 Scale Prevention Replacement Filter
01037876	Zip Scale Prevention Filter Kit 1,850 Gallons (7,000 L)		

*maximum office size = 60 people

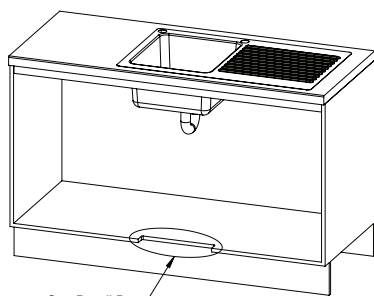
HYDROTAP® TOUCH-FREE WAVE FOR OFFICE

BOILING | **CHILLED**

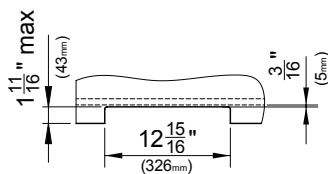


COMMAND CENTER SPECS

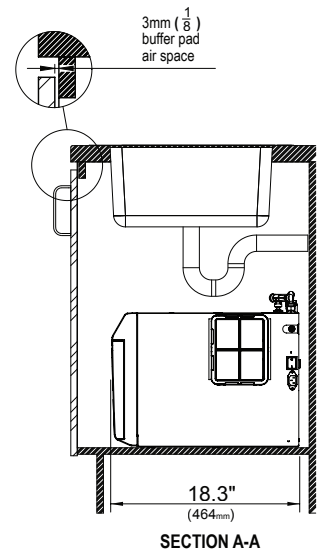
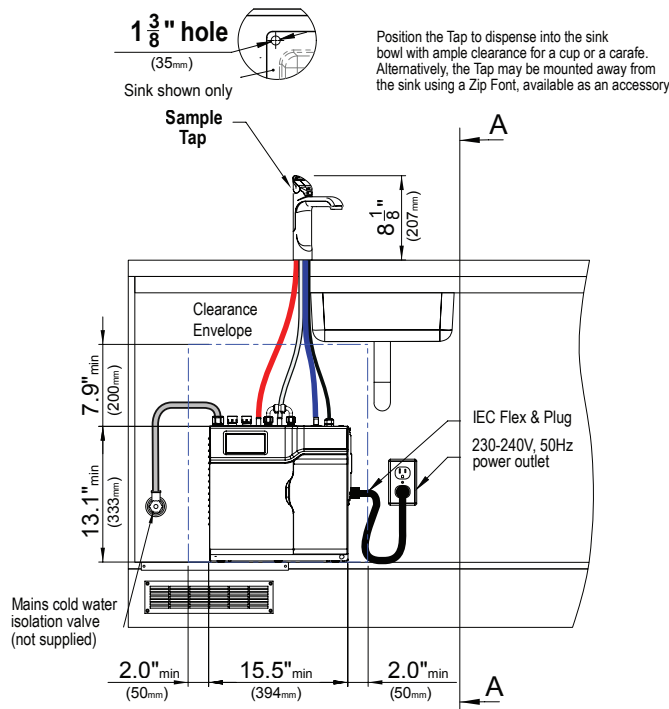
Water Pressure	Min 30psi – max 75psi with a minimum flow rate of 1 gpm
Water Connection	½" BSP - isolation valve is required within 3' of the installation
Integral Water Values	HydroTaps are fitted with a dual check valve and a 50psi pressure limiting valve
Water Supply Requirements	Potable drinking water supply
Total Dissolved Solids (TDS)	TDS min 50ppm – max 120ppm
Integral Water Filter	0.2 micron, 1.5 size - Replace every 1,800 gallons or 6 months
Power Rating	220-240V, 50 Hz, 2.2kW, 9.9A
Power Supply Requirements	220-240V, 50/60Hz 15 amp power supply with a NEMA 6-15 outlet
Dimensions (WxDxH)	15.5" x 18.3" x 13.1" (excluding vent duct)
Minimum Air Gap	Clearances are required - 2" left side , 2" right side , 8" above
Dry Weight	53lbs
Product Approvals	IAPMO - NSF/ANSI 372, 42 & 53, cUL, CEC, ADA compliant
Warranty	2 years (1 year limited warranty plus additional 1 year warranty is available on product registration)
Maximum Hose Connection Length	3' (tap to command center)
Minimum Distance Needed for Installation	15" (interior wall to disposal)
Recommended Cabinet Depth	24"



VENTILATION DETAIL



DETAIL B: CABINET FLOOR CUT-OUT



Installation and connection of your HydroTap must be carried out by a qualified person, observing all local, state & federal regulations. You will require suitable 220 -240V 50/60Hz 15 amp power supply with a NEMA 6-15 electrical outlet within 3' of the product. The HydroTap is a pump-driven system so the installation of the Tap must be within 3' of the base command center. The HydroTap is an air-cooled system so discrete cabinetry cut-outs are required for ventilation. Installation on most counter tops is straightforward however some stone counter tops may require a specialized cutting service. If using a drip tray (font) accessory suitable drainage to a trapped waste is required within 3' of the installation. If you live in an area with hard water (more than 120ppm), we recommend installation of a scale filtration kit. Sufficient space and clearance to install the HydroTap as detailed in the product installation guidelines is required. Installation by Zip Professional Service can be arranged with a phone call to 1-833-233-2358 or through <https://us.zipwater.com>

*maximum office size = 60 people