



# HYDROTAP® TOUCH-FREE WAVE FOR HOME\*

**BOILING** | **CHILLED**

Elevate your home or small office with the HydroTap Touch-Free Wave and enjoy the perfect hot drink or crisp, chilled water in an instant with just the wave of a hand.

\*For home or small office (maximum office size = 10 people)

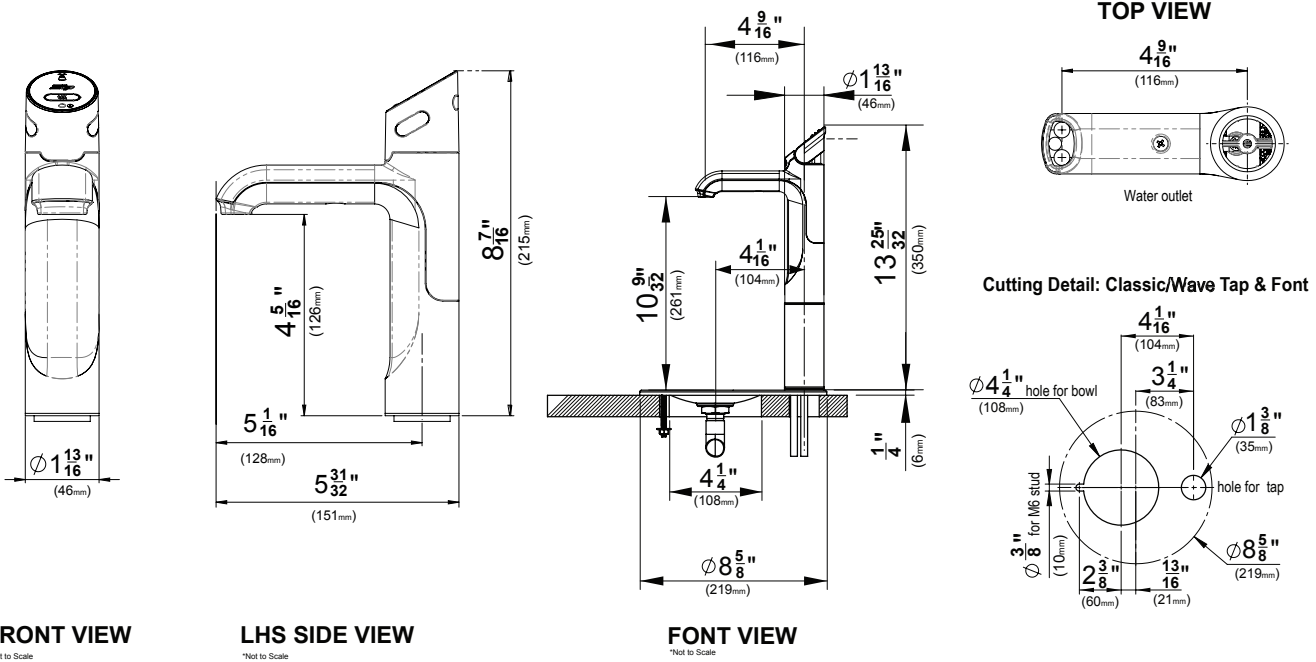
# HYDROTAP® TOUCH-FREE WAVE FOR HOME\*

**BOILING | CHILLED**



## HYDROTAP TOUCH-FREE WAVE FOR OFFICE - TAP SPECS

Style	HydroTap Touch-Free Wave for Office - includes child safety lock
Hole Size	1 3/8"
Available Finishes	Chrome
Installation	Over sink or on drip tray (optional - see below for font)
Flow rate	Max 1.8gpm
Sparkling Water Flow Rate	0.36gpm



### MODEL NUMBERS (CONSULT LOCAL DEALER FOR PRODUCT CODES)

WAVEBC120V-CH	Wave (Chrome)
WAVEBC120V-MB	Wave (Matte Black with Chrome Accents)

### PRODUCT CODE FOR OPTIONAL FONT

01034266	Drip Tray, Classic/Wave Font (Chrome)
01034268	Drip Tray, Classic/Wave Font (Matte Black)

### PRODUCT CODES FOR ACCESSORIES

01034276	Filter, Zip, 0.2 Micron, 1 Size - 93701	01037874	External Scale Filter Installation Kit (includes filter)
01034277	Filter, Zip, 0.2 Micron, 1.5 Size - 93702	01037868	Zip FL250 Scale Replacement Filter
01034278	Filter, Zip, 3 Micron, 1.5 Size - 93703		

\*From the room (office) and (office) (people) office size = 10 people

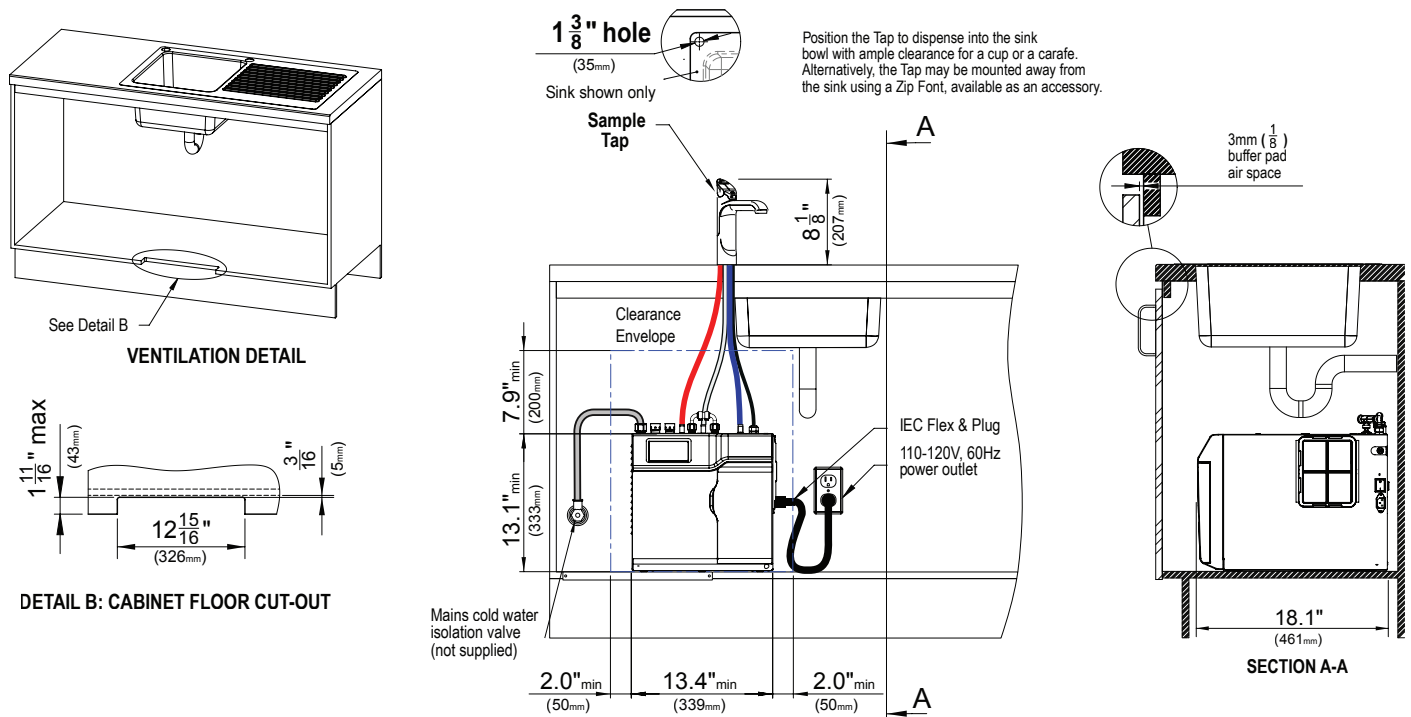
# HYDROTAP® 120V COMMAND CENTER

**BOILING | CHILLED**



## BC 120V - COMMAND CENTER SPECS

Water Pressure	Min 36psi – Max 100psi with a minimum flow rate of 1 gpm
Water Connection	½" BSP - isolation valve is required within 3' of the installation
Integral Water Values	HydroTaps are fitted with a Dual Check Valve and a 50psi Pressure Limiting Valve
Water Supply Requirements	Potable drinking water supply
Total Dissolved Solids (TDS)	TDS minimum 50ppm – maximum 120ppm
Integral Water Filter	0.2 micron, 1 size - replace every 1,500 gallons or 12 months
Power Rating	110-120V, 60 Hz, 1.25kW, 9A draw
Power Supply Requirements	110-120V, 60Hz 15A power supply with a NEMA 5-15 outlet
Dimensions (WxDxH)	13.4" x 18.1" x 13.1"
Minimum Air Gap	Clearances are required - 2" left side , 2" right side , 8" above
Dry Weight	50.7lbs
Product Approvals	IAPMO - NSF/ANSI 372, 42 & 53, cUL, CEC
Warranty	2 years (1 year Limited Warranty plus additional 1 year warranty is available on product registration)
CO <sub>2</sub> Cylinder	2 x 1.5lb beverage-grade carbon dioxide cylinder
CO <sub>2</sub> Capacity	Approximately 450 glasses of sparkling water per 1.5lb CO <sub>2</sub> cylinder
CO <sub>2</sub> Operating Pressure	Min 39psi - Max 43psi
Maximum Installation Distance (Tap to Command Center)	3'
Maximum Installation Distance (Tap to Command Center)	15"
Minimum Cabinet Depth	18"



Installation and connection of your HydroTap must be carried out by a qualified person, observing all local, state & federal regulations. You will require suitable 220 -240V 50/60Hz 15 amp power supply with a NEMA 6-15 electrical outlet within 3' of the product. The HydroTap is a pump-driven system so the installation of the Tap must be within 3' of the base command center. The HydroTap is an air-cooled system so discrete cabinetry cut-outs are required for ventilation. Installation on most counter tops is straightforward however some stone counter tops may require a specialized cutting service. If using a drip tray (font) accessory suitable drainage to a trapped waste is required within 3' of the installation. If you live in an area with hard water (more than 120ppm), we recommend installation of a scale filtration kit. Sufficient space and clearance to install the HydroTap as detailed in the product installation guidelines is required. Installation by Zip Professional Service can be arranged with a phone call to 1-833-233-2358 or through <https://us.zipwater.com>

\*For home or small office (maximum office size = 10 people)